

NO PARCEL 4

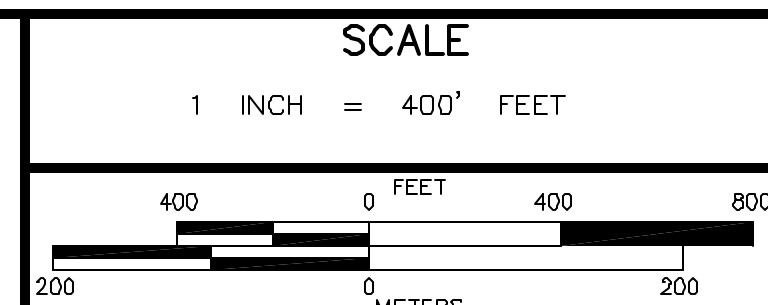
DATE FLIGHT
APRIL 27, 1984
DATE DELIVERY
SEPT. 3, 1985

THIS MAP IS FOR ASSESSMENT PURPOSES ONLY. IT IS NOT VALID FOR LEGAL DESCRIPTION NOR CONVEYANCE.

CARTOGRAPHIC Assoc. Inc.
PROFESSIONAL CONSULTANTS
MUNICIPAL MAPPING - GIS - PUBLIC WORKS INFORMATION MANAGEMENT
11 PLEASANT STREET, LITTLETON, NEW HAMPSHIRE 03561
(603)444-6768 - 1(800)322-4540 - FAX (603)444-1366 - WWW.CAI-INFO.COM

ADJACENT SHEET No. **102**
AREA CALCULATED 8 AcC
AREA SURVEYED 8.3 AcC
BLOCK LIMIT **02**
BLOCK NUMBER

LEGEND
COMMON OWNERSHIP DEVELOPMENT LOT No. OR
MATCH LINE M.L. ②
RIGHT OF WAY R/W
SCALED DIMENSION S



TOWN OF
STODDARD
REVISED THROUGH

MAP NO.
417